

TUFF 5S ORDER PICKING TROLLEYS



2 & Half Shelf Trolley in use

Premium quality, TUFF 5S Fully Welded Order Picking Trolleys are designed to improve picking and packing in your workplace. Available with a range of shelf quantities and step colours.

GENERAL INFO & FEATURES

- Anti-slip treads for better stability
- Weight reactive steps lower when body weight is applied
- Mobile on 4 durable nylon castors
- 2 fixed front castors and 2 swivel rear castors with brakes
- High handrails improve safety whilst picking stock
- Upper shelf features a lipped edge for load retention
- Variety of colours are ideal for a 5S style workflow
- Dimensions: H1670 x L1595 x W650mm



Anti-slip steps available in 6 different colours



Spring gently lowers the steps when weight is applied



Easily activated brakes on each of the rear castors

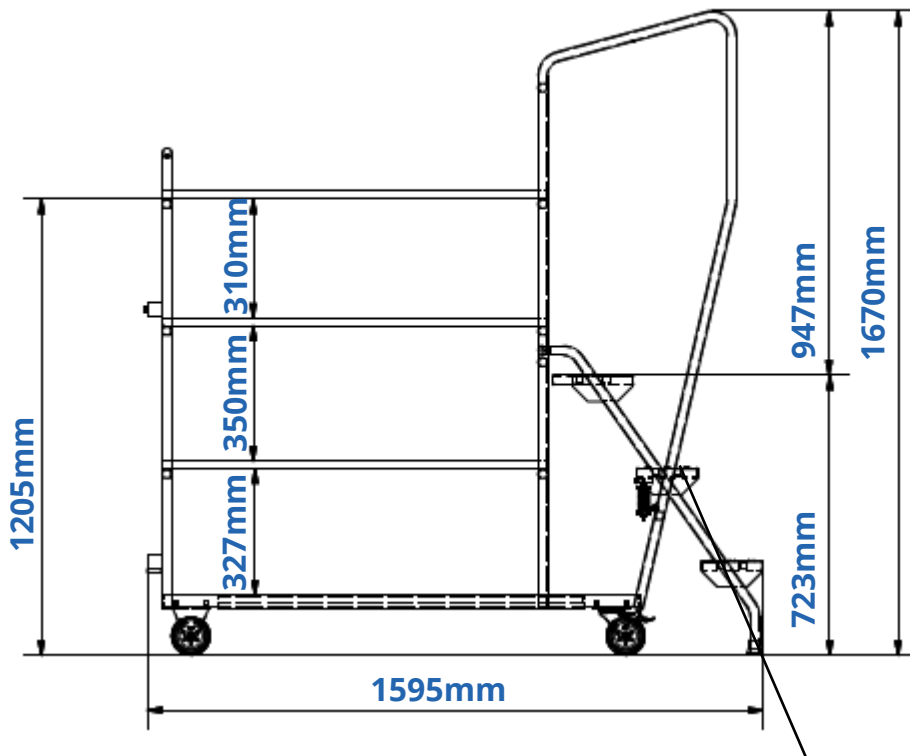
DIMENSIONS



SKU	Number of Shelves	Height	Length	Width
10361375	2 Shelf	1670mm	1595mm	650mm
10361376	2 & Half Shelf	1670mm	1595mm	650mm
10361377	3 Shelf	1670mm	1595mm	650mm
10361378	4 Shelf	1670mm	1595mm	650mm

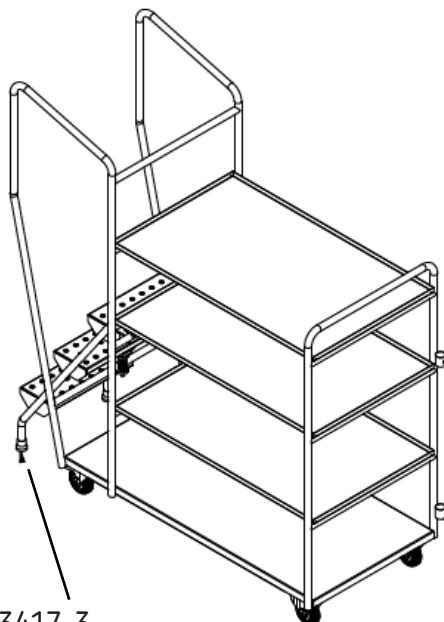
TUFF 5S ORDER PICKING TROLLEYS 4 SHELF

TECHNICAL DIMENSIONS



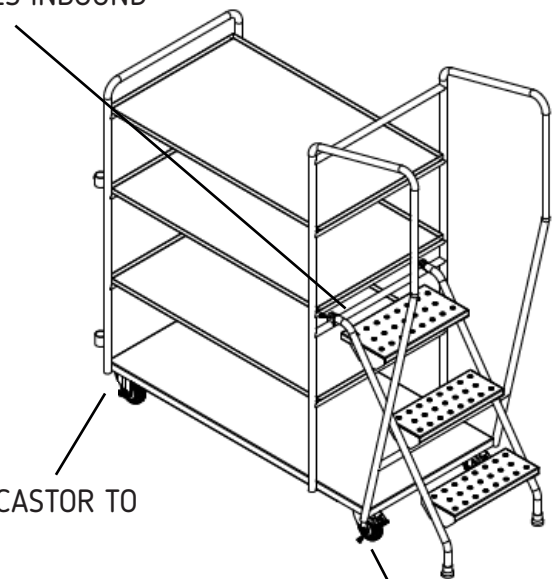
- Top Shelf Height: 1205mm
- Bottom to Top Shelf Height (approx): 990mm
- Top Shelf to Top Handle Height: 445mm
- Top Tread Height to Top Handle Height: 947mm
- Top Tread Height: 723mm
- Distance between shelves: bottom and first shelf: 327mm, first shelf and second shelf: 350mm, second shelf and third shelf: 310mm
- H1670 x L1595 x W650mm

SPRING TO RAISE STEPS CLEAR OF FLOOR UNTIL STOOD ON



3417-3
RUBBER FOOT

2 NO.M8X30 DOME HEAD & NY-LOCK NUT HEAD FACES INBOUND

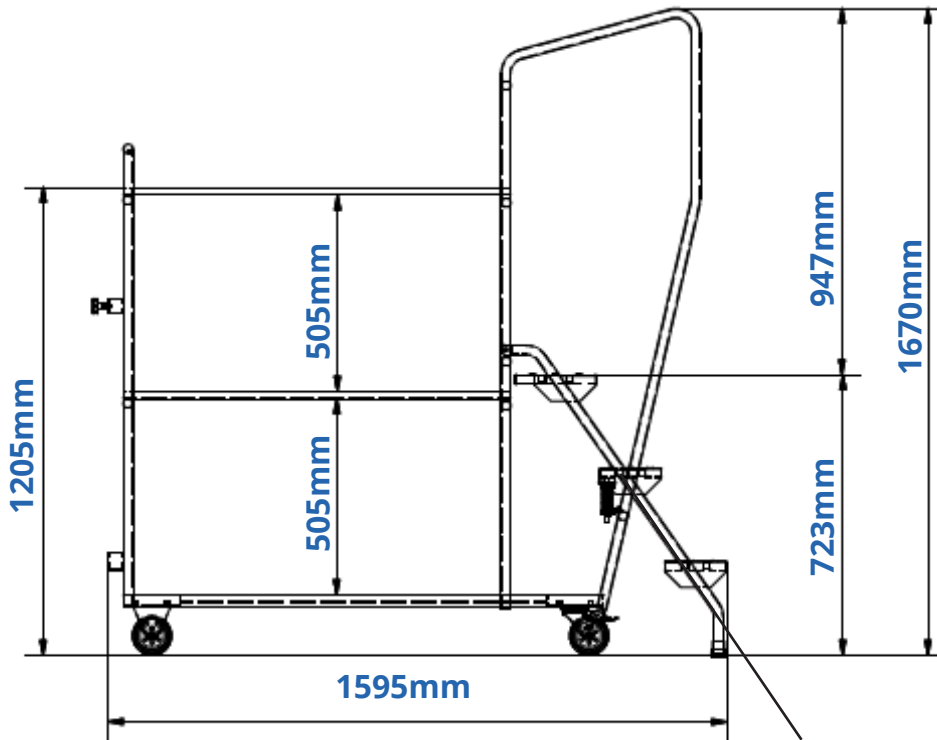


4" FIXED CASTOR TO
THIS END

4" SWIVEL BRAKED CASTOR TO THIS END

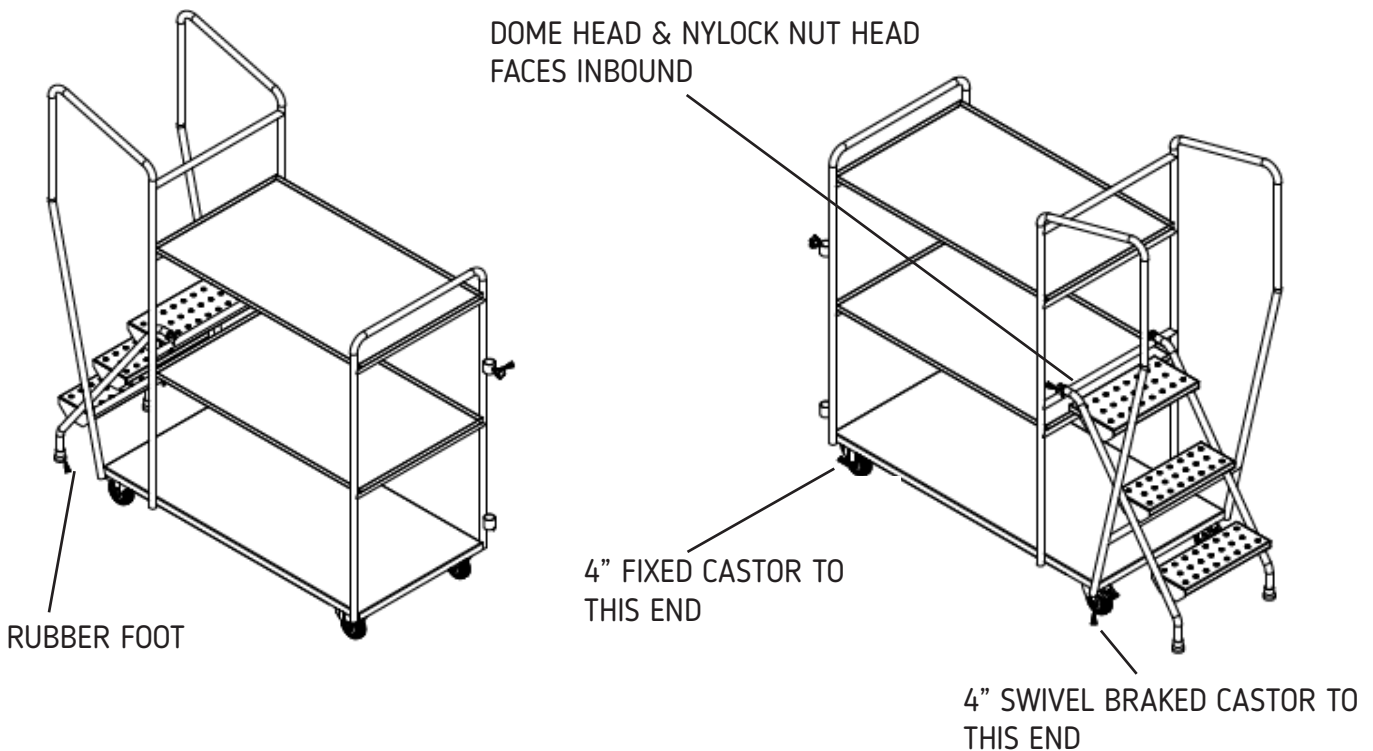
TUFF 5S ORDER PICKING TROLLEYS 3 SHELF

TECHNICAL DIMENSIONS



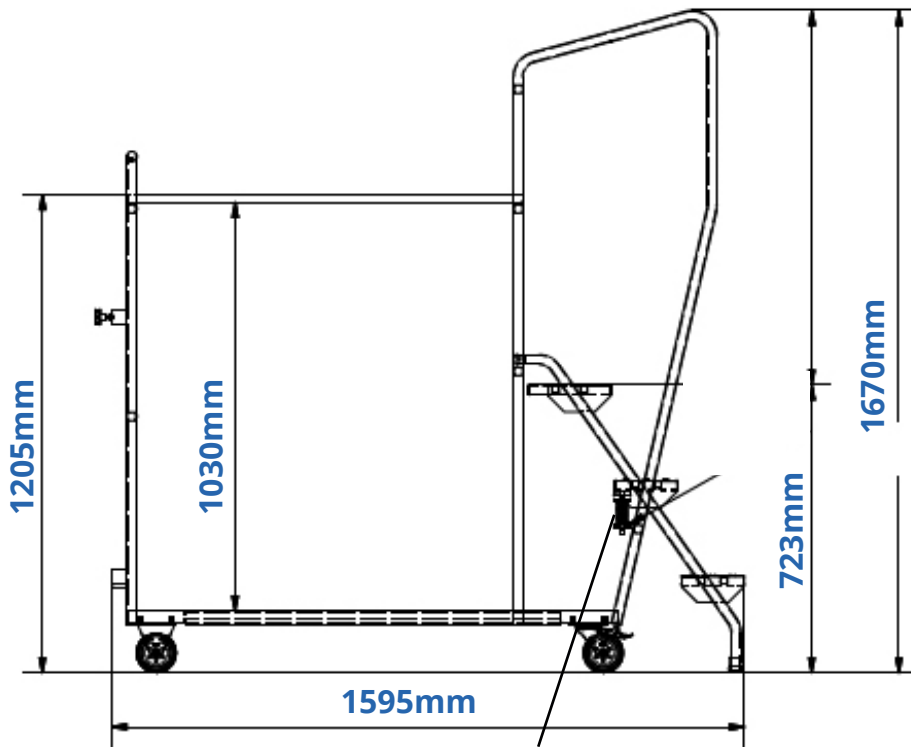
- Top Shelf Height: 1205mm
- Bottom to Top Shelf Height (approx): 990mm
- Top Shelf to Top Handle Height: 445mm
- Top Tread Height to Top Handle Height: 947mm
- Top Tread Height: 723mm
- H1670 x L1595 x W650mm
- Distance between shelves: 505mm

SPRING TO RAISE STEPS CLEAR OF FLOOR UNTIL STOOD ON



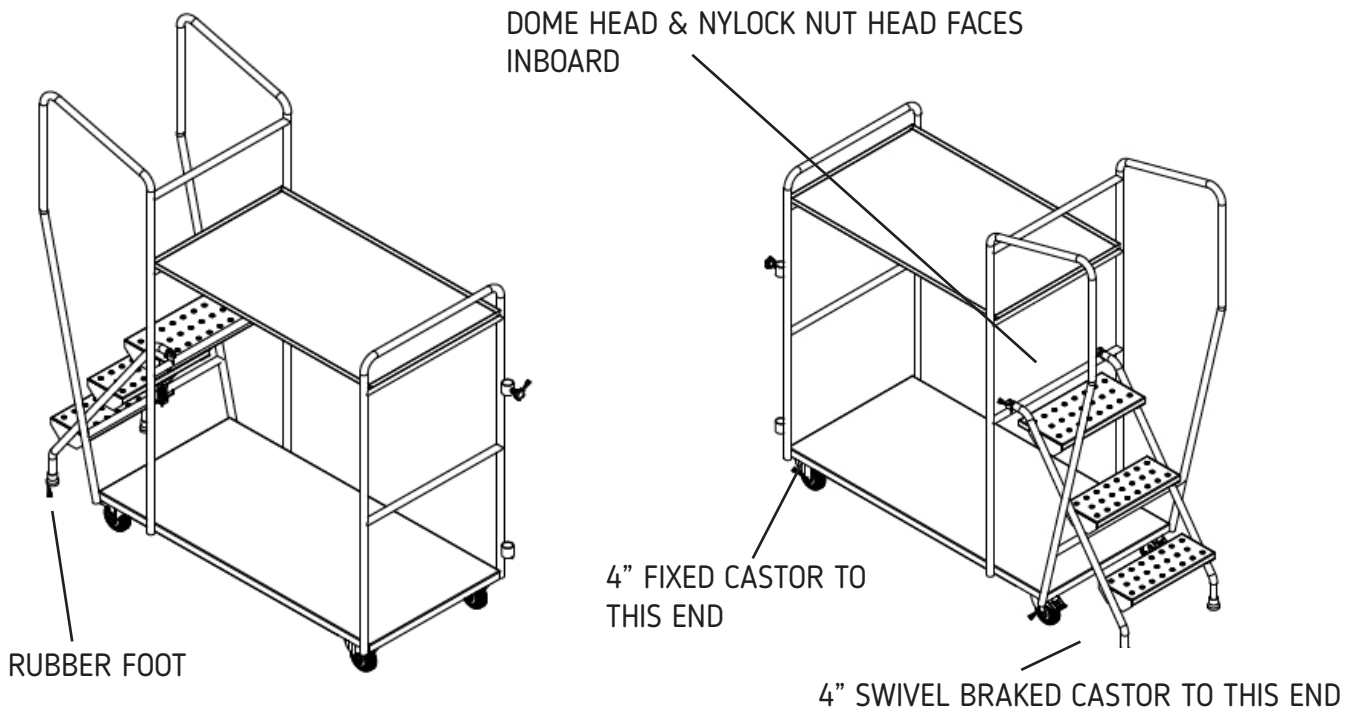
TUFF 5S ORDER PICKING TROLLEYS 2 SHELF

TECHNICAL DIMENSIONS



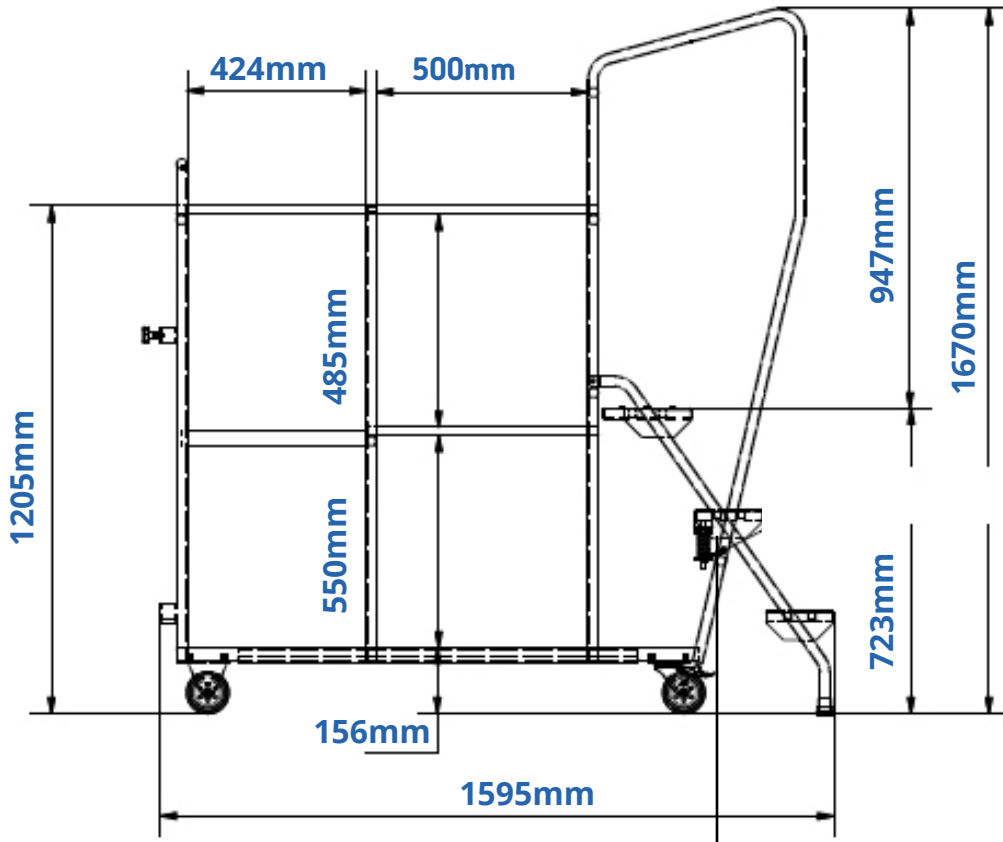
- Top Shelf Height: 1205mm
- Bottom to Top Shelf Height (approx): 990mm
- Top Shelf to Top Handle Height: 445mm
- Top Tread Height to Top Handle Height: 947mm
- Distance between shelves: 1030mm
- Top Tread Height: 723mm
- H1670 x L1595 x W650mm

SPRING TO RAISE STEPS CLEAR OF FLOOR UNTIL STOOD ON



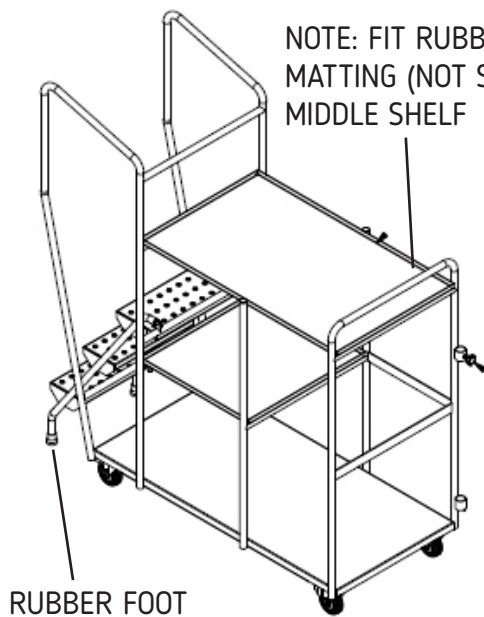
TUFF 5S ORDER PICKING TROLLEYS 2.5 SHELF

TECHNICAL DIMENSIONS



- Top Shelf Height: 1205mm
- Bottom to Top Shelf Height (approx): 990mm
- Top Shelf to Top Handle Height: 445mm
- Top Tread Height to Top Handle Height: 947mm
- Top Tread Height: 723mm
- H1670 x L1595 x W650mm

SPRING TO RAISE STEPS CLEAR OF FLOOR UNTIL STOOD ON



DOMED HEAD & NYLON NUT HEAD FACES INBOARD

